

8

7

6

5

4

3

2

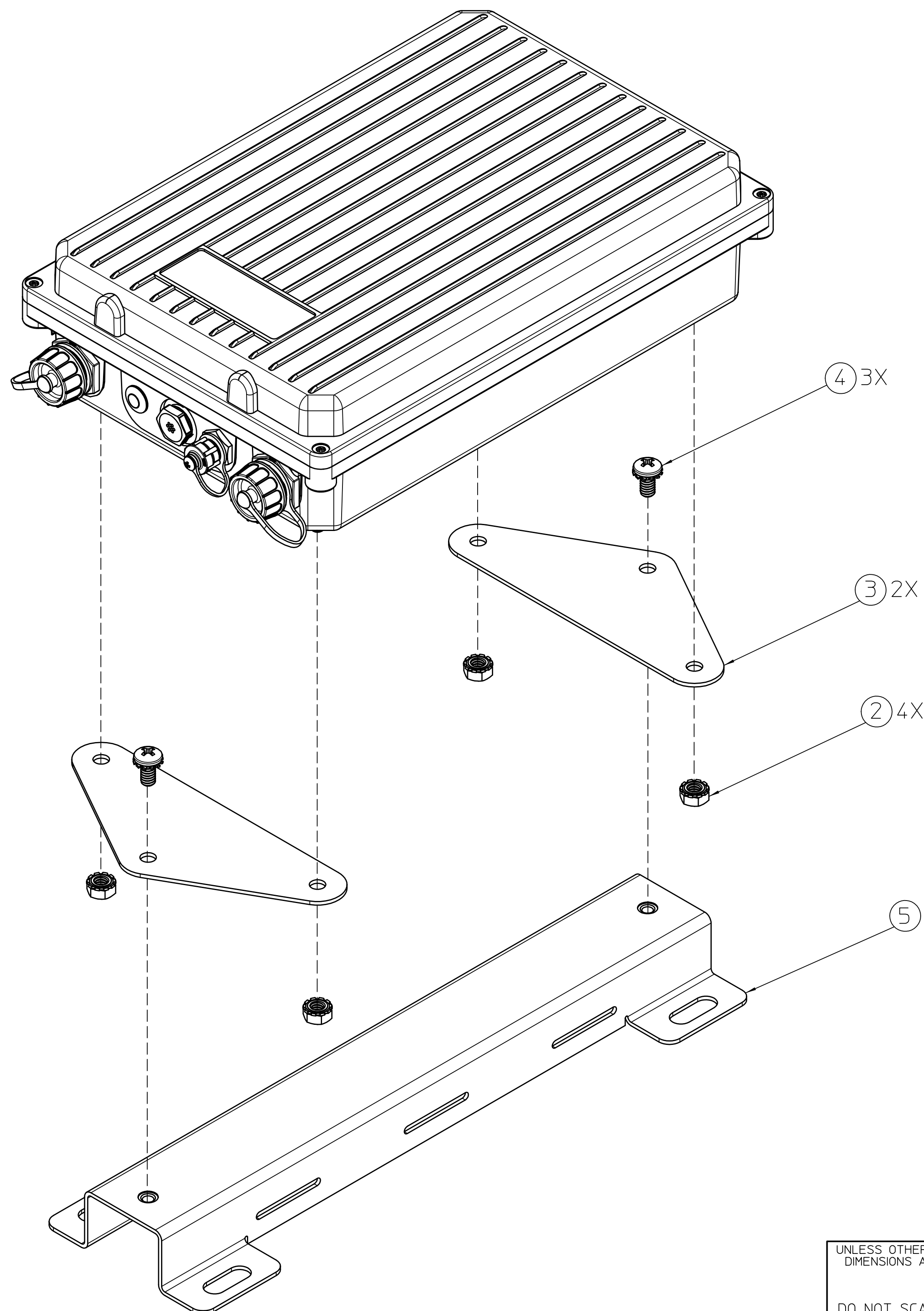
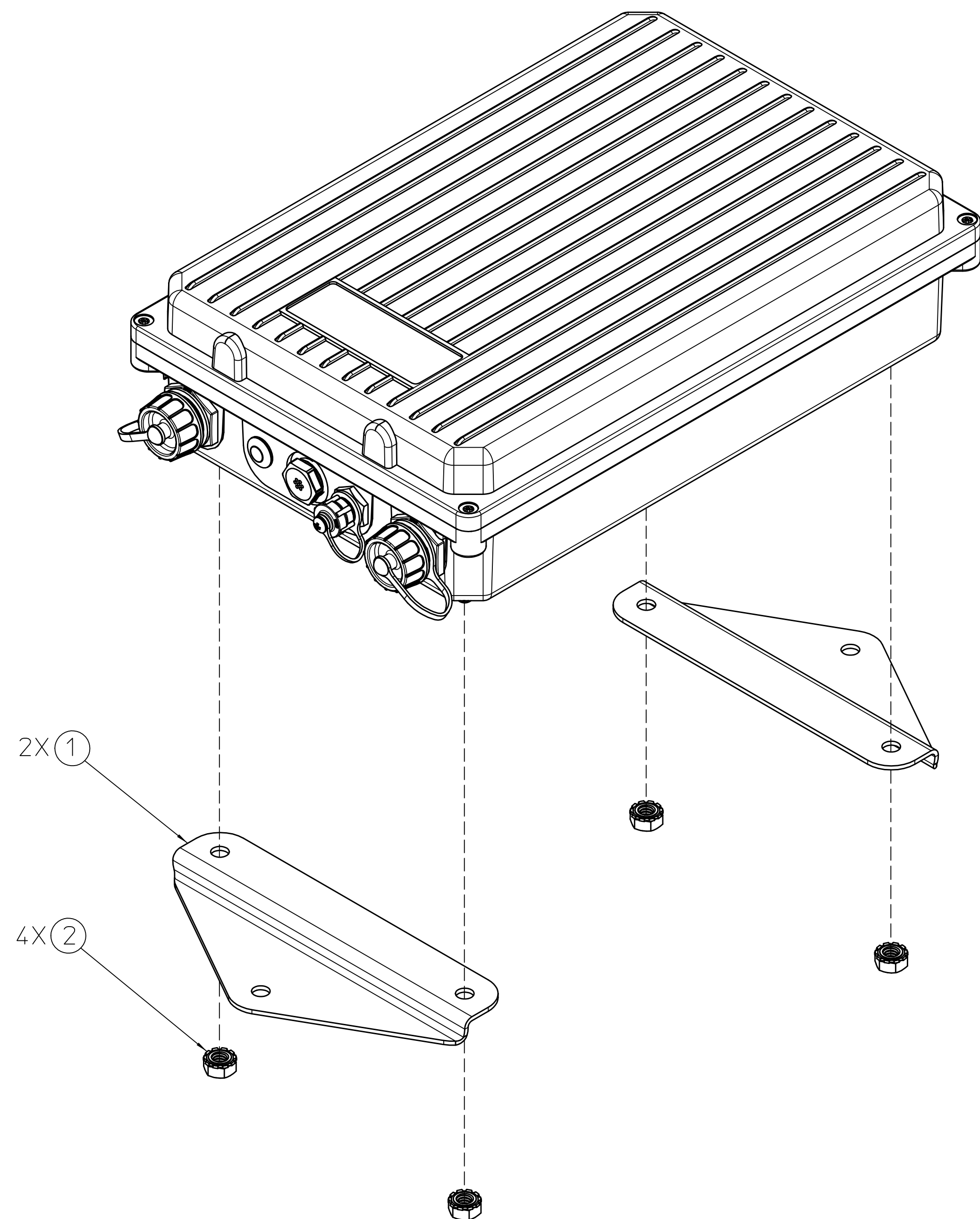
1

© COPYRIGHT 2016 NATIONAL INSTRUMENTS CORPORATION. ALL RIGHTS RESERVED.

REVISION HISTORY IS CONTROLLED IN AN ELECTRONIC DATABASE. CONTACT NI FOR REVISION DETAILS IF NEEDED.

SURFACE MOUNT

POLE MOUNT

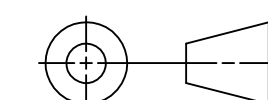


ITEM NO.	DESCRIPTION
1	STEP MOUNTING BRACKETS
2	KEPS NUTS
3	MOUNTING BRACKETS
4	1/2" SCREWS
5	RAIL BRACKET

1. REFER TO PRODUCT MANUAL FOR MORE DETAILS.

NOTES: UNLESS OTHERWISE SPECIFIED.

UNLESS OTHERWISE SPECIFIED DIMENSIONS ARE IN INCHES
DO NOT SCALE DRAWING
THIRD ANGLE PROJECTION



NATIONAL INSTRUMENTS® AUSTIN, TEXAS

TITLE
BRACKETING ACCESSORY FOR USRP E313, IP67

SIZE	CODE	IDENT NO.	DRAWING NO.	REV
D	7U296		785354-01	1
SCALE: 1:1.33				SHEET 1 OF 1

8

7

6

5

4

3

2

1

785354-01 1