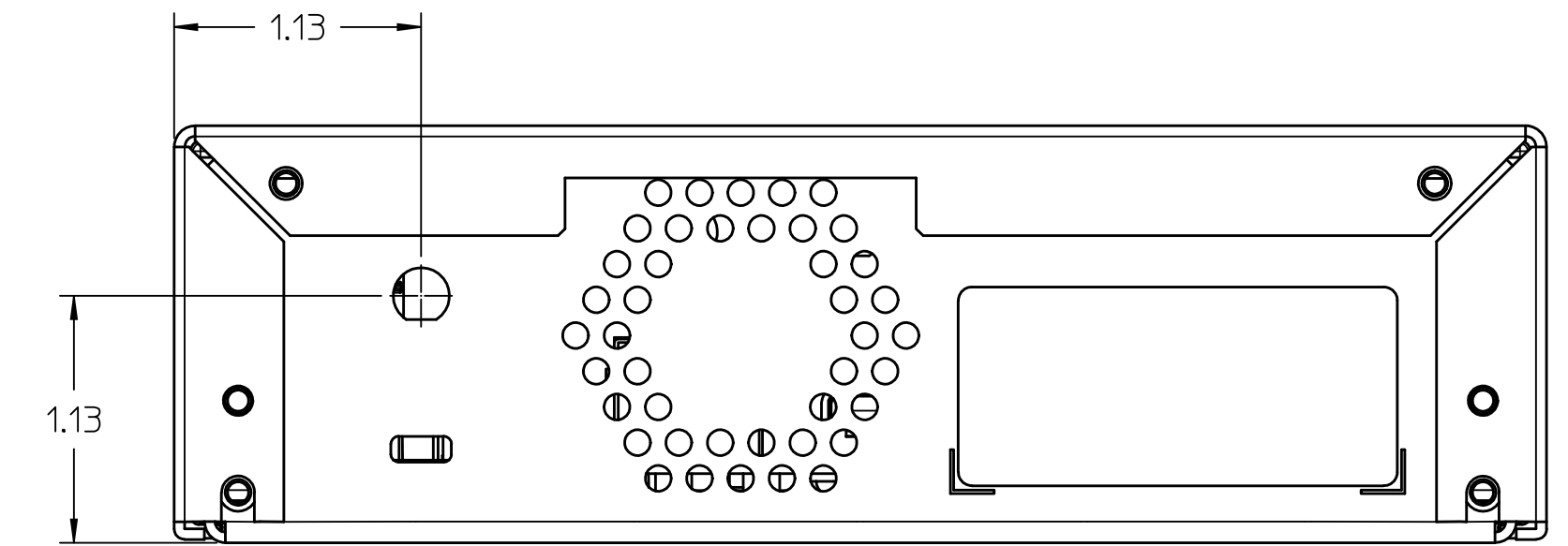
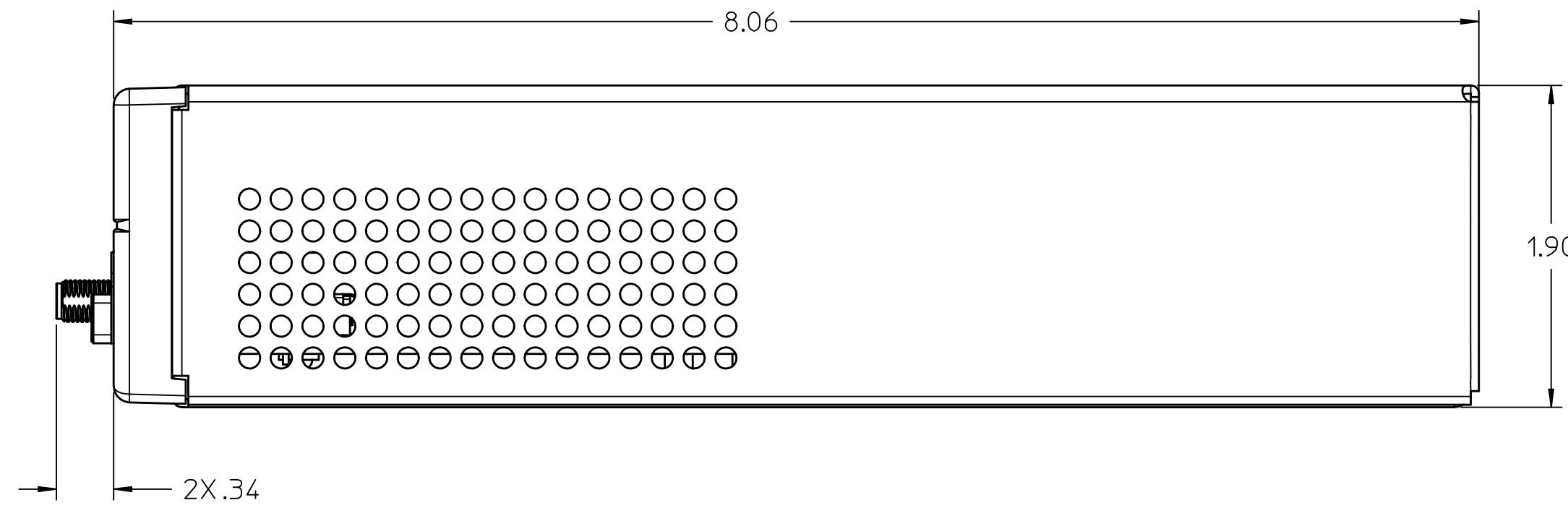
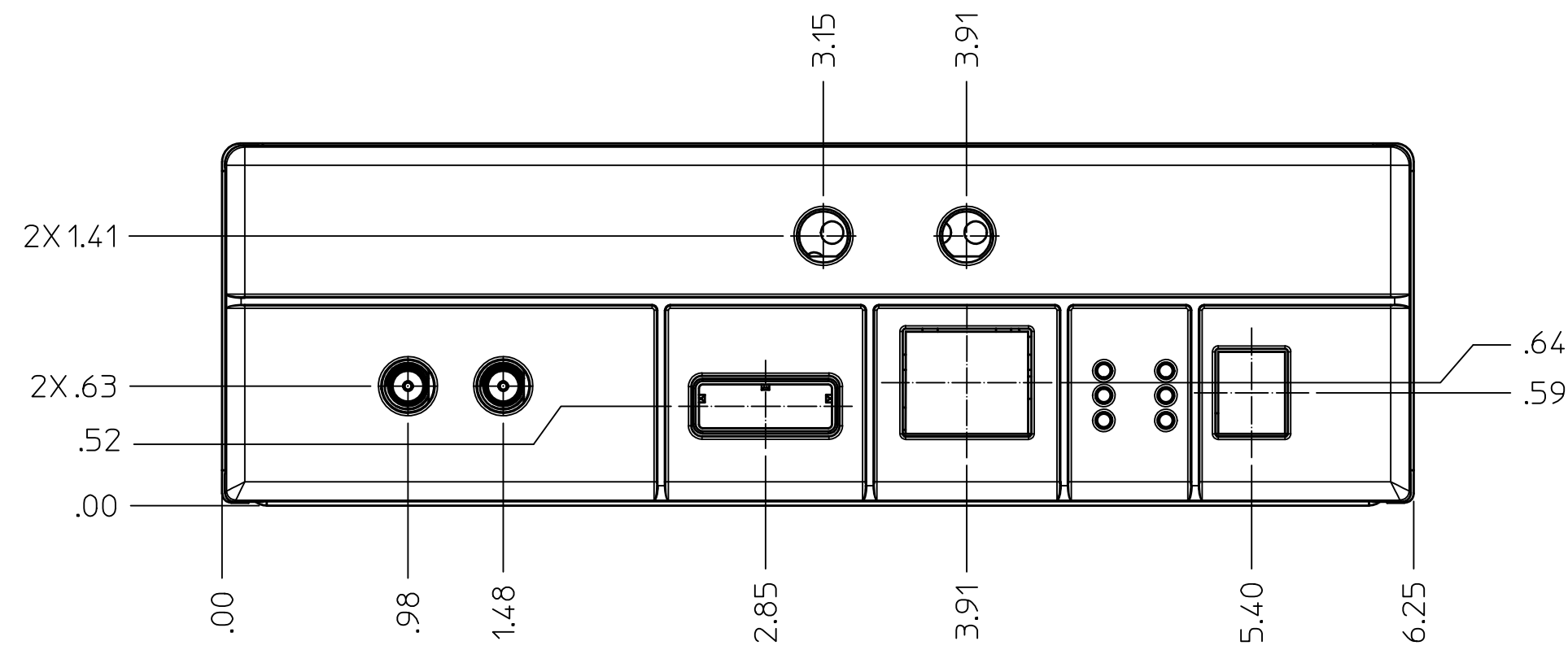
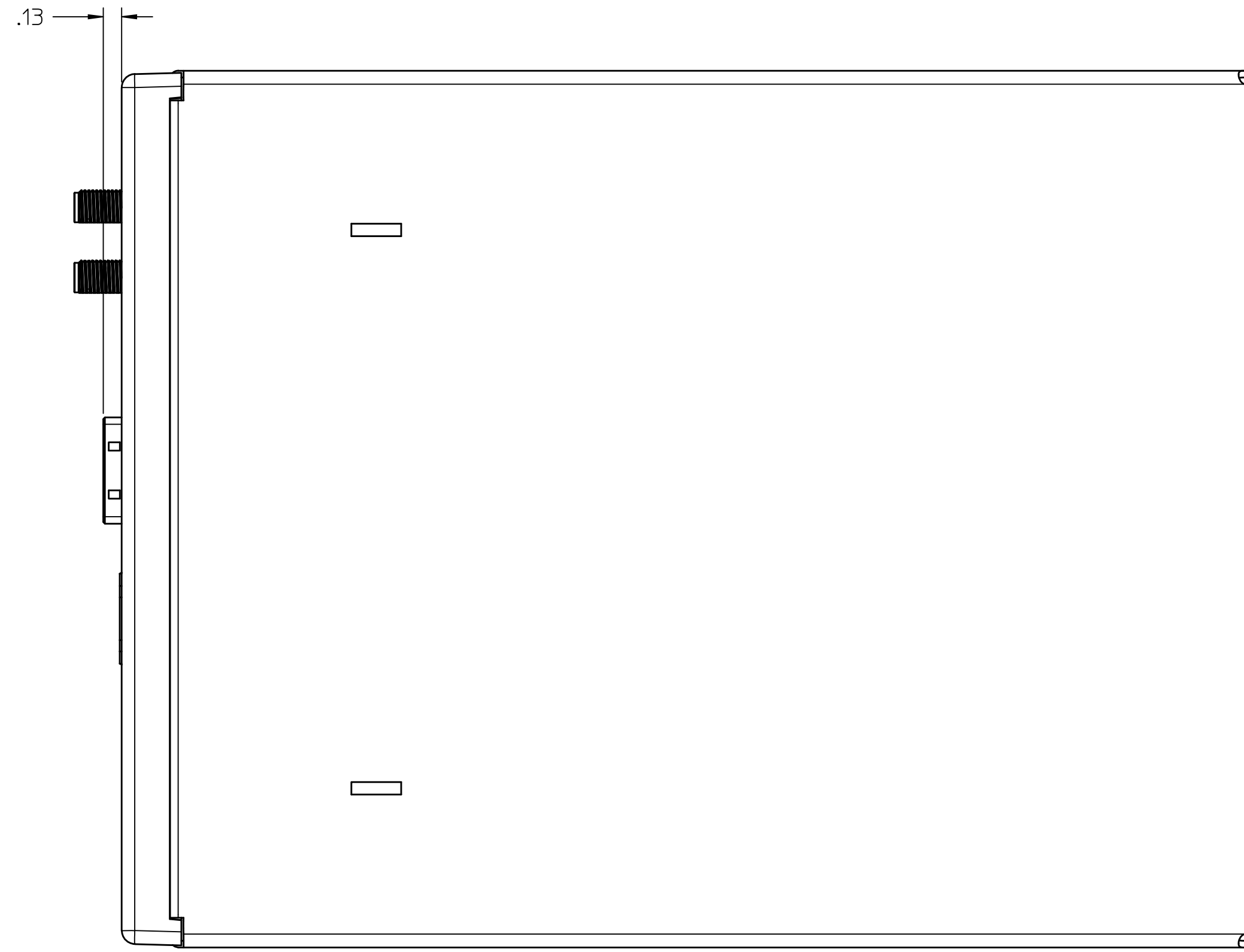



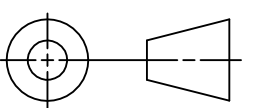
This document contains confidential and proprietary information which is the property of National Instruments Corporation. This proprietary information is supplied to the possessor pursuant to the possessor's agreement to do the following:

1. to maintain this document in confidence,
2. not to reproduce, publish or copy it in whole or in part without written permission, and
3. not to use this document as a basis for the manufacture or sale of goods without written permission.

© COPYRIGHT 2016
NATIONAL INSTRUMENTS CORPORATION. ALL RIGHTS RESERVED.

REVISION HISTORY IS CONTROLLED IN AN ELECTRONIC DATABASE.
CONTACT NI FOR REVISION DETAILS IF NEEDED.



UNLESS OTHERWISE SPECIFIED DIMENSIONS ARE IN INCHES	 NATIONAL INSTRUMENTS®		AUSTIN, TEXAS
	TITLE ETTUS USRP N200/N210		
DO NOT SCALE DRAWING THIRD ANGLE PROJECTION	SIZE CODE IDENT NO. MM/DD/YYYY D 7U296 07/20/2016		REV 1
	SCALE: 1.25:1	SHEET 1 OF 1	