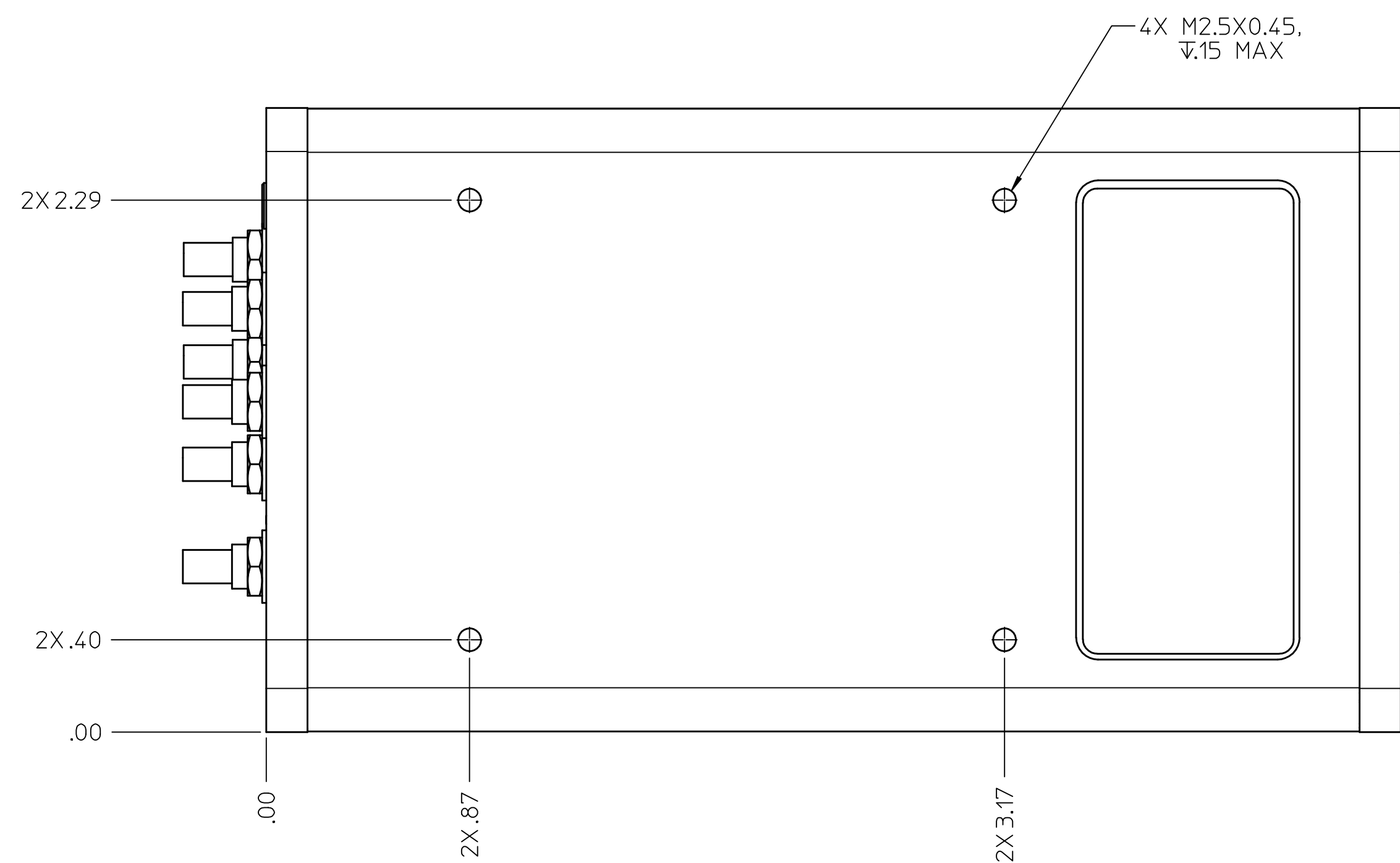
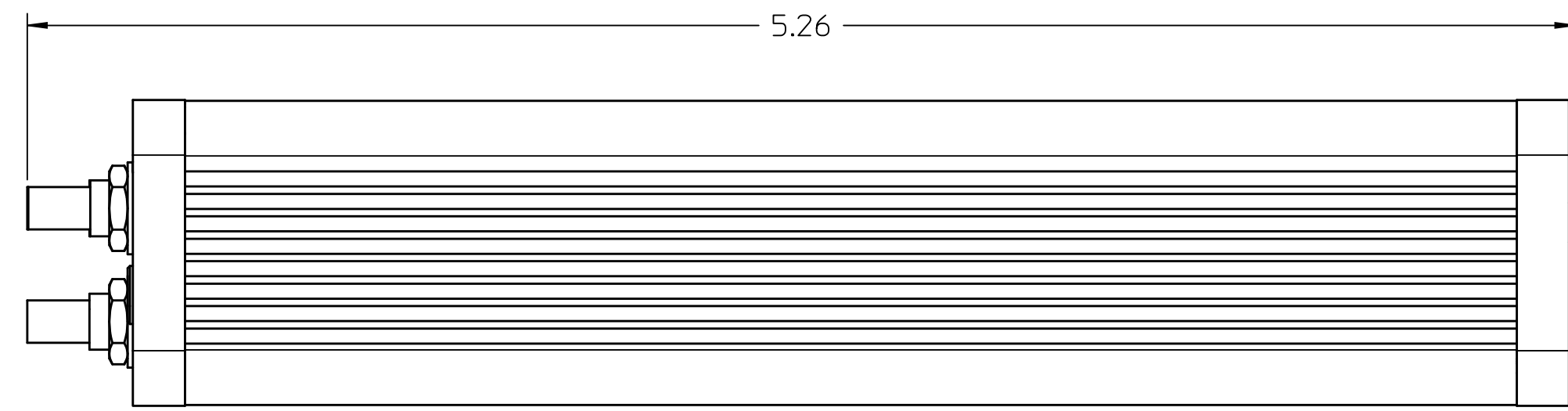
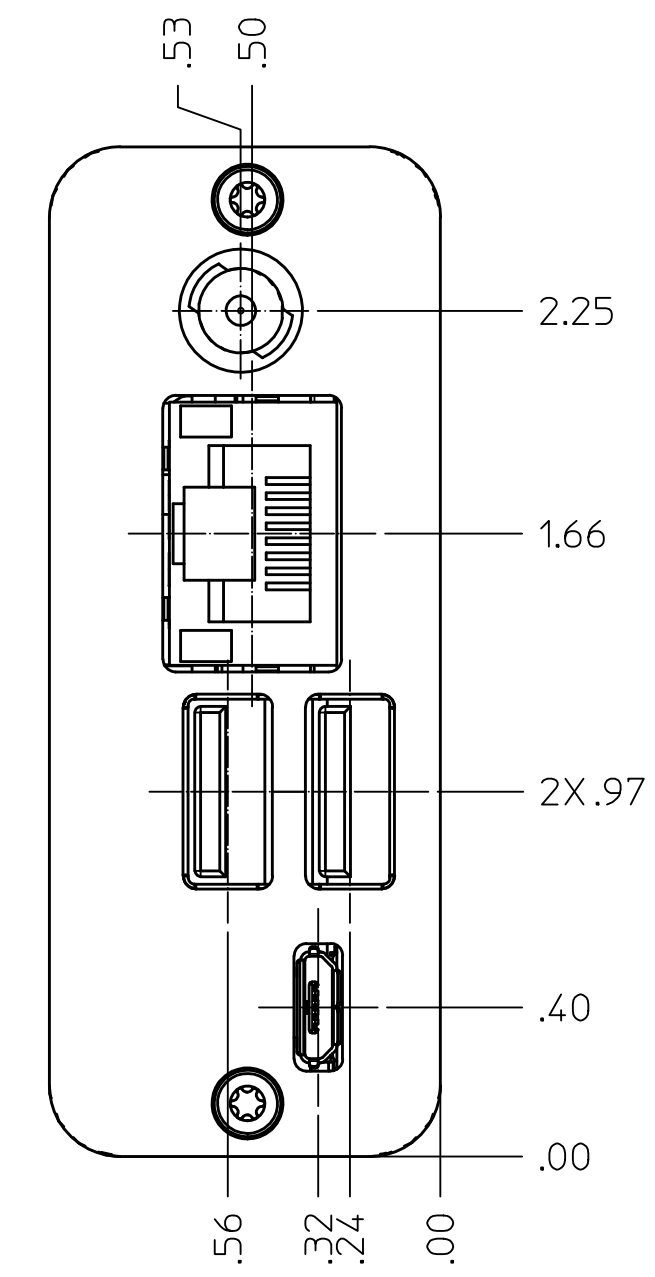
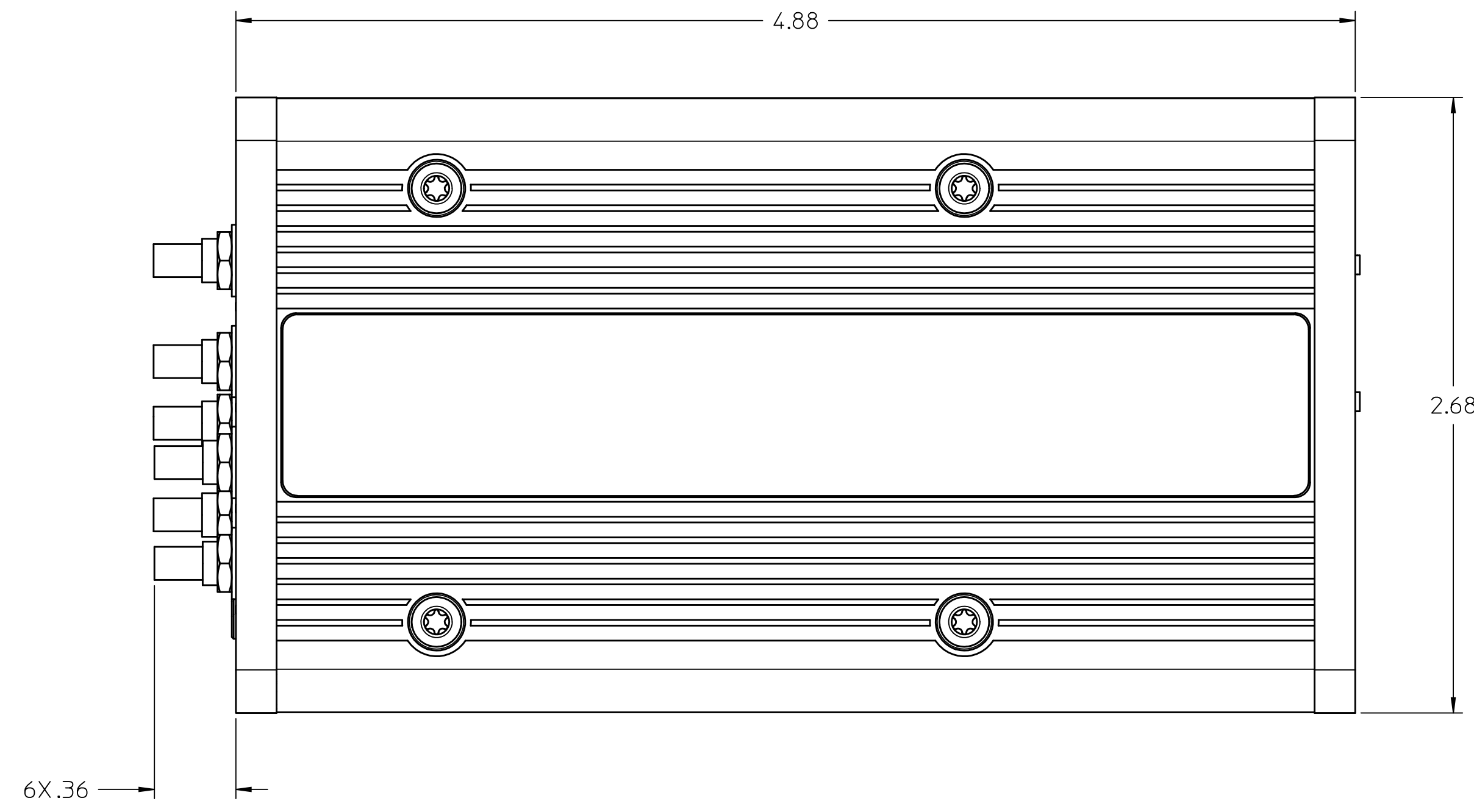
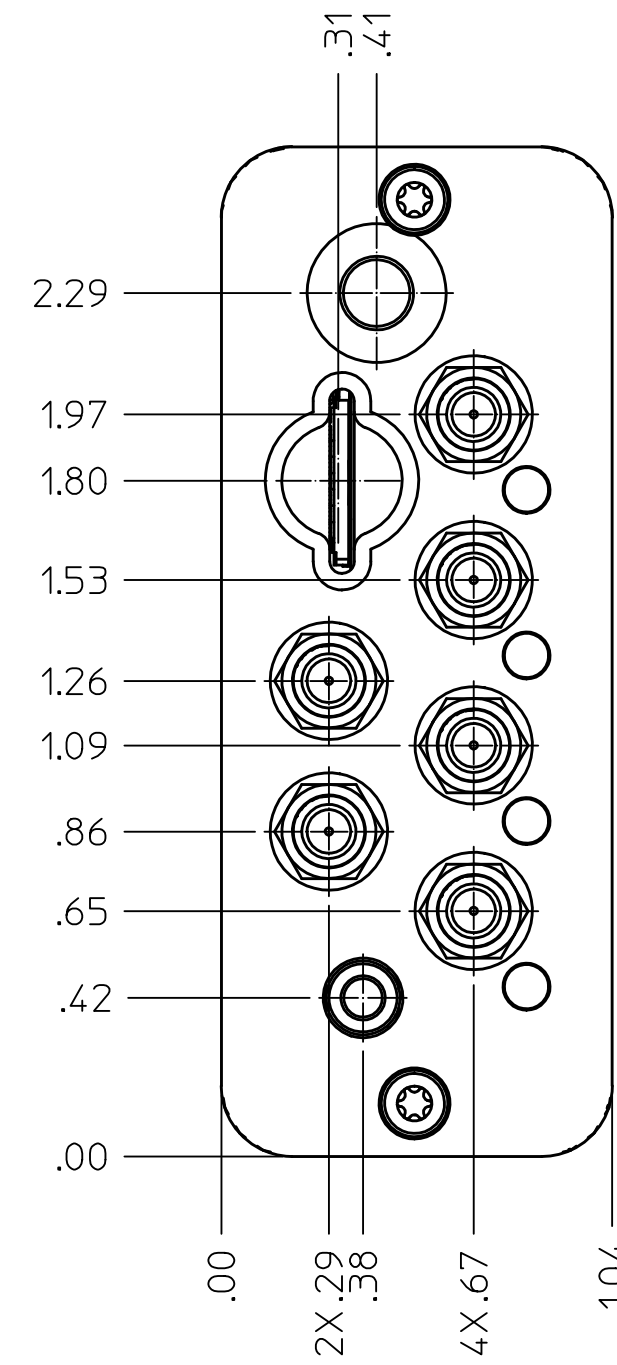


This document contains confidential and proprietary information which is the property of National Instruments Corporation. This proprietary information is supplied to the possessor pursuant to the possessor's agreement to do the following:

1. to maintain this document in confidence,
2. not to reproduce, publish or copy it in whole or in part without written permission, and
3. not to use this document as a basis for the manufacture or sale of goods without written permission.

© COPYRIGHT 2014
NATIONAL INSTRUMENTS CORPORATION. ALL RIGHTS RESERVED.

REVISION HISTORY IS CONTROLLED IN AN ELECTRONIC DATABASE. CONTACT NI FOR REVISION DETAILS IF NEEDED.



1. REFER TO PRODUCT MANUAL ON NI.COM FOR MORE DETAILS.
NOTES: UNLESS OTHERWISE SPECIFIED.

UNLESS OTHERWISE SPECIFIED DIMENSIONS ARE IN INCHES AND (MILLIMETERS)	NATIONAL INSTRUMENTS® AUSTIN, TEXAS	
	TITLE USRP-E310	
DO NOT SCALE DRAWING THIRD ANGLE PROJECTION		SIZE CODE IDENT NO. MM/DD/YYYY D 7U296 10/20/2014
SCALE: 2:1	SHEET 1 OF 1	REV 1