

4

3

2

1

© COPYRIGHT 2017
NATIONAL INSTRUMENTS CORPORATION. ALL RIGHTS RESERVED.

REVISION HISTORY IS CONTROLLED IN AN ELECTRONIC DATABASE.
CONTACT NI FOR REVISION DETAILS IF NEEDED.

D

D

C

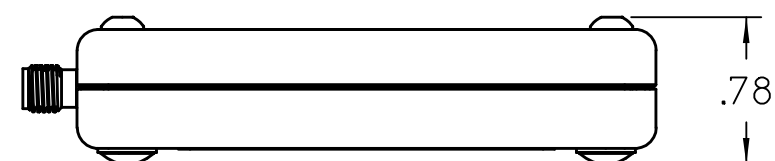
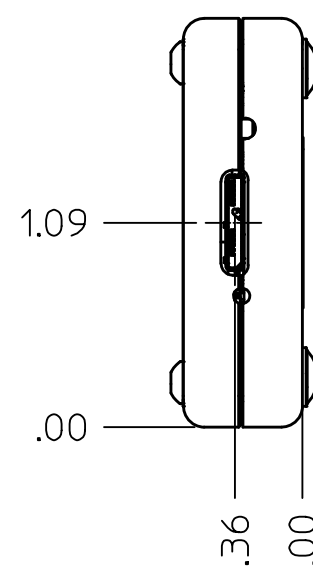
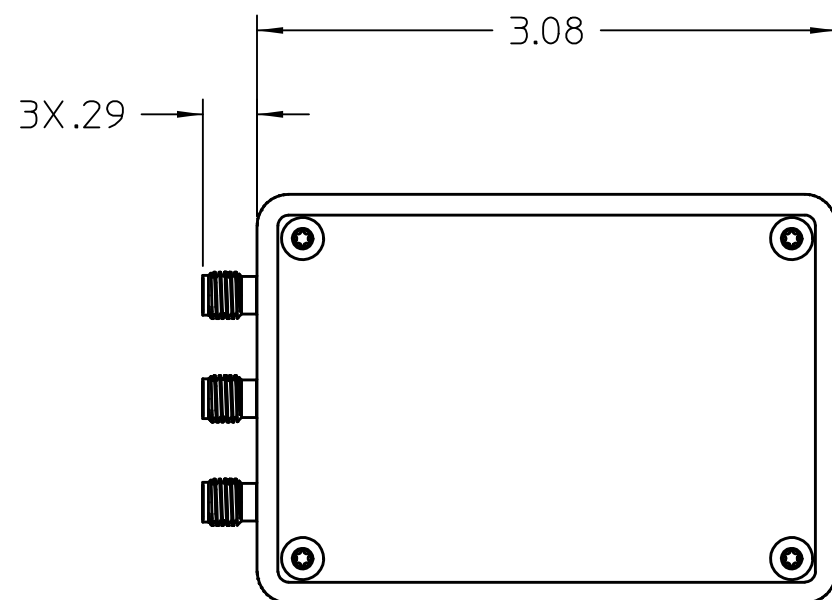
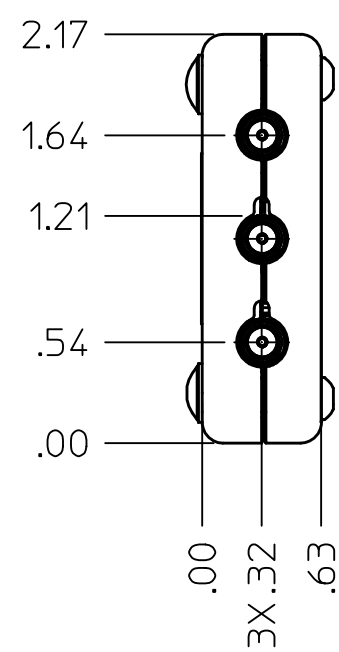
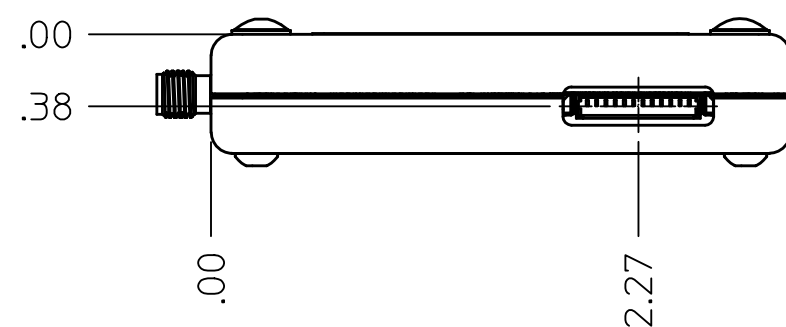
C

B

B

A

A



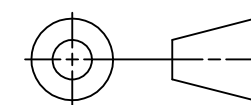
UNLESS OTHERWISE SPECIFIED
DIMENSIONS ARE IN INCHES



AUSTIN, TEXAS

DO NOT SCALE DRAWING
THIRD ANGLE PROJECTION

TITLE
ETTUS USRP B200/B205mini



SIZE	CODE IDENT NO.	MM/DD/YYYY	REV
C	7U296	01/13/2017	1

SCALE: 1:1 SHEET 1 OF 1

4

3

2

1

cu_usrp-b200mini