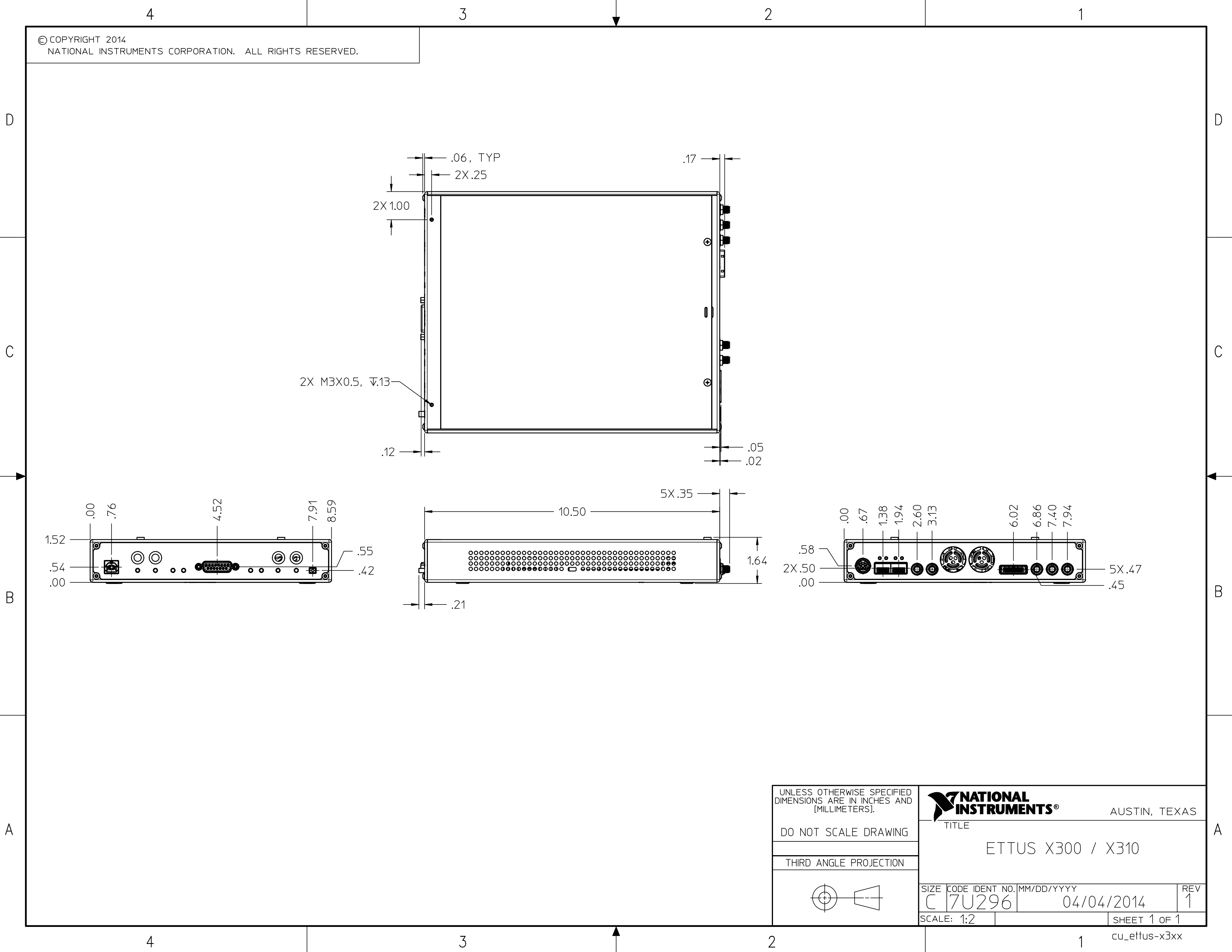


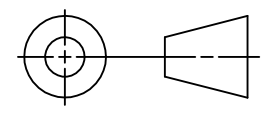
© COPYRIGHT 2014
 NATIONAL INSTRUMENTS CORPORATION. ALL RIGHTS RESERVED.




UNLESS OTHERWISE SPECIFIED
 DIMENSIONS ARE IN INCHES AND
 (MILLIMETERS).

DO NOT SCALE DRAWING

THIRD ANGLE PROJECTION



		AUSTIN, TEXAS	
TITLE ETTUS X300 / X310			
SIZE	CODE IDENT NO.	MM/DD/YYYY	REV
C	7U296	04/04/2014	1
SCALE: 1:2		SHEET 1 OF 1	